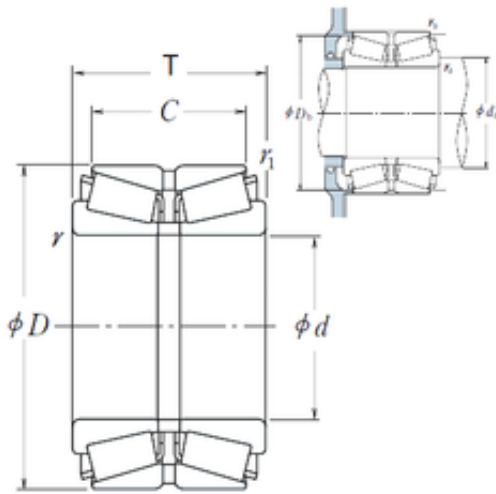




TGH Roller Bearing Co., Ltd

NSK 140KBE030+L DOUBLE-ROW BEARINGS

Bearing No. 140KBE030+L



140KBE030+L Bearing 2D drawings and 3D CAD models

Size	140x210x106 mm
Bore Diameter	140 mm
Outer Diameter	210 mm
Width	106 mm
d	140 mm
D	210 mm
T	106 mm
C	94 mm
r min.	2,5 mm
r1 min.	0,6 mm
da min.	155 mm
Db min.	202 mm
ra max.	2 mm
rb max.	1 mm
Weight	7,02 Kg
Basic dynamic load rating (C)	555 kN
Basic static load rating (C0)	1200 kN
(Grease) Lubrication Speed	1300 r/min
(Oil) Lubrication Speed	1700 r/min
Calculation factor (e)	0,4
Calculation factor (Y0)	1,6
Calculation factor (Y2)	2,5