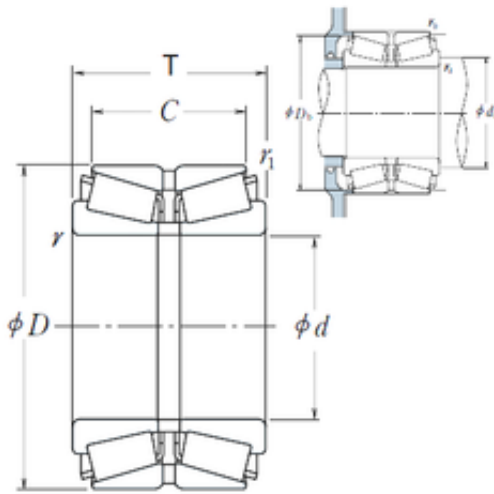




TGH Roller Bearing Co., Ltd

NSK 260KBE031+L DOUBLE-ROW BEARINGS

Bearing No. 260KBE031+L



260KBE031+L Bearing 2D drawings and 3D CAD models

Size	260x440x180 mm
Bore Diameter	260 mm
Outer Diameter	440 mm
Width	180 mm
d	260 mm
D	440 mm
T	180 mm
C	144 mm
r min.	5 mm
r1 min.	1,5 mm
da min.	287 mm
Db min.	416 mm
ra max.	4 mm
rb max.	1,5 mm
Weight	104 Kg
Basic dynamic load rating (C)	2110 kN
Basic static load rating (C0)	4150 kN
(Grease) Lubrication Speed	600 r/min
(Oil) Lubrication Speed	800 r/min
Calculation factor (e)	0,39
Calculation factor (Y0)	1,7
Calculation factor (Y2)	2,6